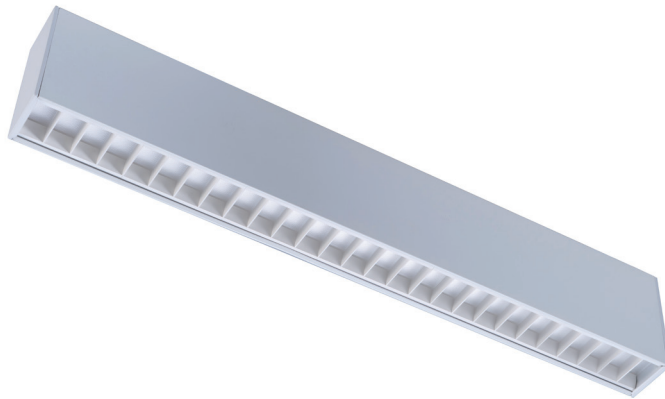
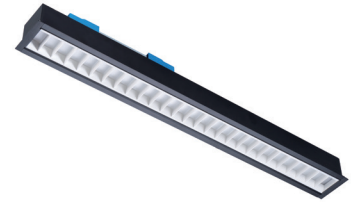


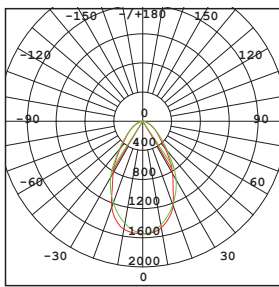
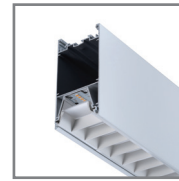
LED Linear Light



NLI497AM



NLI497A



UNIT: cd — c0/180 — c90/270
NLI497A1200 30W 6500K

TECHNICAL DETAILS

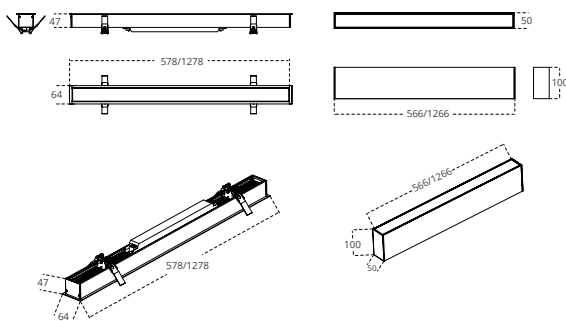
- Efficacy up to 100 lm/w
- RA90 excellent colour rendering
- Two colour temperatures: 4000/6500K
- Good glare reduction UGR<19
- Operating temperatures: -20-45°C
- 50,000 hours of lifetime

APPLICATIONS

Offices / Corridors

FEATURES

- Aluminum housing, excellent heat dissipation and great durability
- Unique modular structure design, it can be use in various applications
- Flexible, linked together to create L, X, T shape
- PCB using ZHAGA International certification, strong versatility and easy replacement
- Easy to install with simple wire connection design



Model	Power(W)	Lumens	LM/W	Size/mm	Cut out/mm	Angle	Flicker	PF	Driver
NLI497AM600	15	1500	100	566*50*100	-	73°	No Flicker	0.95	Integrated
NLI497AM1200	30	3000	100	1266*50*100	-	73°	No Flicker	0.95	Integrated
NLI497A600	15	1500	100	578*64*47	570*55	73°	No Flicker	0.95	Integrated
NLI497A1200	30	3000	100	1278*64*47	1270*55	73°	No Flicker	0.95	Integrated